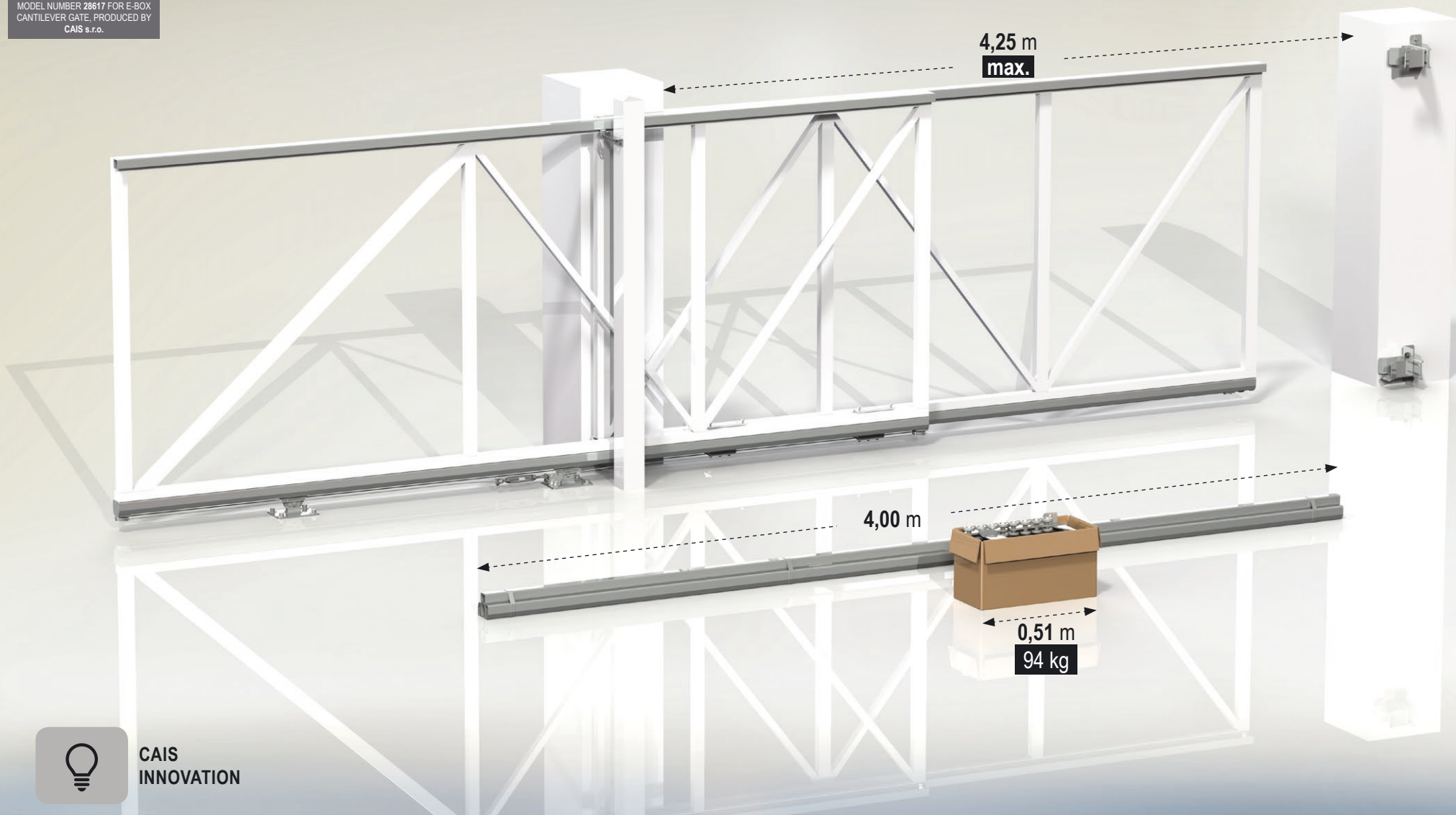


PATENT OFFICE
PATENTED OFFICE PRIKRYL HAS
REGISTERED AT INDUSTRIAL
PROPERTY OFFICE THE UTILITY
MODEL NUMBER 28617 FOR E-BOX
CANTILEVER GATE. PRODUCED BY
CAIS s.r.o.



CAIS
INNOVATION

NEW

CAIS FOLLOW ME SET 4.25

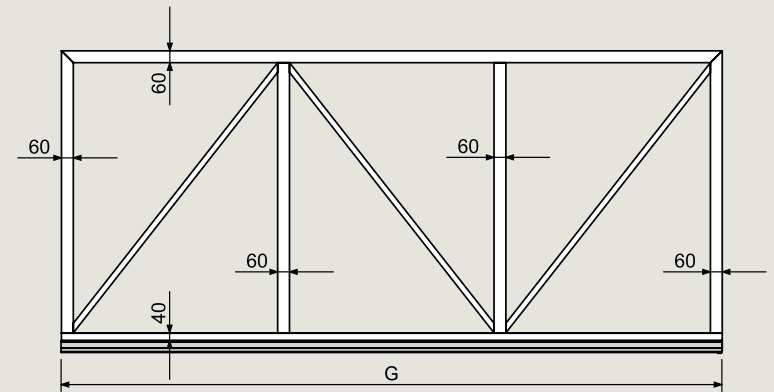
TWINNED TELESCOPIC
CANTILEVER HARDWARE
SPACE-SAVING FEATURE

FOLLOW ME 4.25

CODE: 1710900

	mm; kg	mm; kg	mm; kg	mm; kg	mm; kg	mm; kg	mm; kg
A	2750	3000	3250	3500	3750	4000	4250
backspace	2722	2930	3138	3347	3555	3763	3972
max. weight gate	325 kg	325 kg	325 kg	325 kg	325 kg	325 kg	325 kg
B	817	900	983	1067	1150	1233	1317
C	1217	1300	1383	1467	1550	1633	1717
D	200	200	200	200	200	200	200
G	2228	2415	2603	2790	2978	3165	3353
H	2622	2830	3038	3247	3455	3663	3872
J	270	270	270	270	270	270	270
K	383	445	508	570	633	695	758
L	4067	4400	4733	5067	5400	5733	6067

Valid for gate frame 60x40



DOUBLE-QUICK TIME GATE OPERATOR CLOSING & OPENING



GALVANIZED INTERNAL EDGES



SPACE SAVING FEATURE - 36% TAILGATE SPACE



«C» TRACK SERIAL NO. 100% COMPATIBILITY CARRIAGE TESTED



EASY ASSEMBLING



GERMAN STEEL WUPPERMANN



TWIN «C» TRACK CANTILEVER SYSTEM



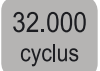
15 + 15 BOLTS
15 + 15 RIVET NUTS INCLUDED



2ND CANTILEVER LEAF ADJUSTABLE IN 3 AXES



C 2 HIGH QUALITY BEARINGS



32.000 CYCLUS TESTED & PROVEN



CARRIAGES CENTER HOLES MILLED NOT LASERED



+ 50°C TESTED & PROVEN



MULTI RIVITED SECTIONS



- 37°C TESTED AND PROVEN



JAPANESE ROBOTICS FANUC



BUILD IN FLYING HOLE PUNCH EVERY 400 mm



UNIVERSITY OF TECHNOLOGY - BRNO



MADE IN CZECH REPUBLIC

